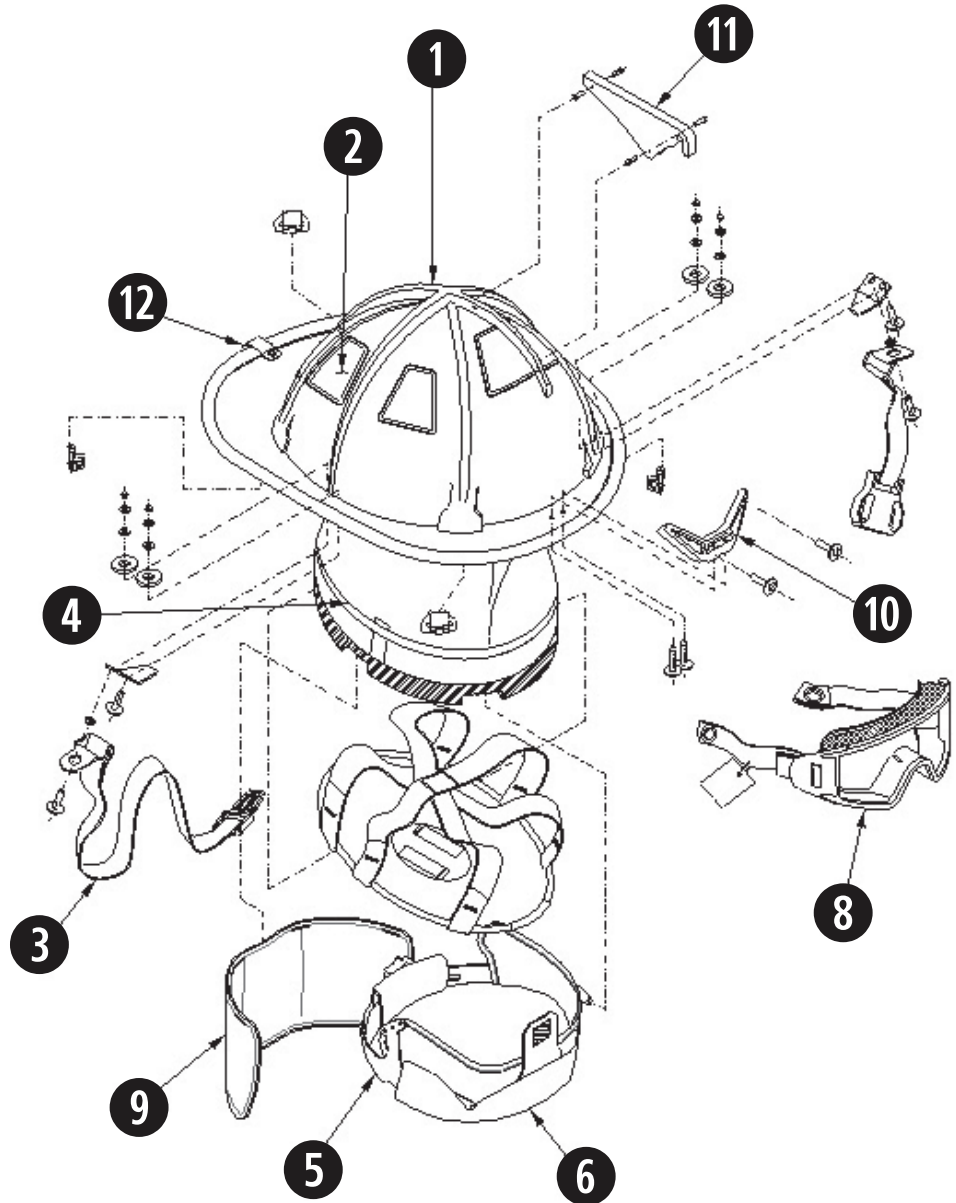


880 TRADITION REPLACEMENT PARTS AND EXPLODED VIEW

1	Helmet	SHELL 880 Tradition — See ATO on page 45
2	Reflective Trim Options	RP20Y Tetrahedrons (20 per sheet), Lime/Yellow (NFPA) SP20YP Tetrahedrons (20 per pkg.) Lime/Yellow (NFPA) SP20RP Tetrahedrons (20 per pkg.), Red/Orange (NFPA) RP20R Tetrahedrons (20 per pkg.) Red/Orange*
3	Chinstraps (Pre 2011)	C89P Nomex with QRB 10046712 Nomex with QRB and Postman Buckle
4	Impact Cap and Suspension System	10049740 Impact Cap Standard Configuration (includes Chin Strap) 10046380 Impact Cap Retainer Clip (each)
5	10046721 Ratchet Headband System	
6	Cushion Liners	LK27P Cushion Liner—Economy Flannel LK28P Cushion Liner—Standard Flannel LK29P Cushion Liner—Deluxe Leather
7	Faceshield Hardware	S918P Faceshield Hardware
8	Face/Eye Protection	10071006 4" Tuffshield with wing protectors 10037315 4" Standard Faceshield, with Wing Protector S806CP 6" Standard Faceshield, with Wing Protector S548P Innerzone 1 S549P Innerzone 2 10032882 Innerzone 3 S550P Cairns ESS Goggle S10KP Bourke Hardware
9	Earlaps/Protective Hoods	10046723 Yellow Nomex Earlap 10049734 PBI/Kevlar Earlap 10049735 PBI/Kevlar Earlap with Moisture Barrier 10049833 Nomex Earlap with Underchin Extension 10049834 PBI/Kevlar Earlap with Underchin Extension
10	Front Mounting Bracket	M16P Mounting Bracket Kit for 880
11	Front Holder Options	10049736 Silk-Screened Eagle 5" Front Holder 10049737 Silk-Screened Maltese Cross 5" Front Holder 10049738 Silk-Screened Eagle 6" Front Holder 10049739 Silk-Screened Maltese Cross 6" Front Holder 10065952 Carved Brass Eagle 6" Front Holder
12	Edge Trim/Helmet Hanger	10049831 Helmet Hanger Replacement Kit 10049832 Black Edge Trim Replacement Kit 10062602 White Edge Trim Replacement Kit



*Not NFPA compliant.

For Fronts, Accessories and Reflective Trim, see pages 60-69.